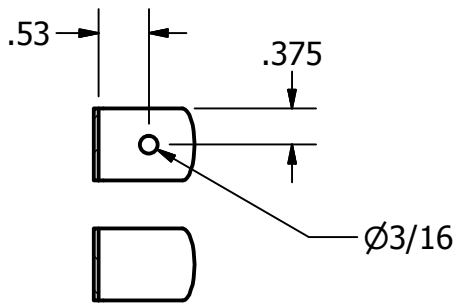
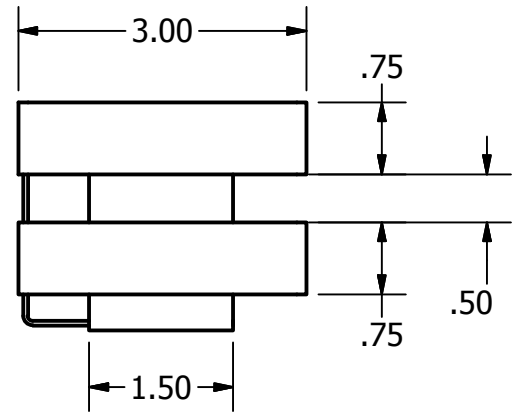
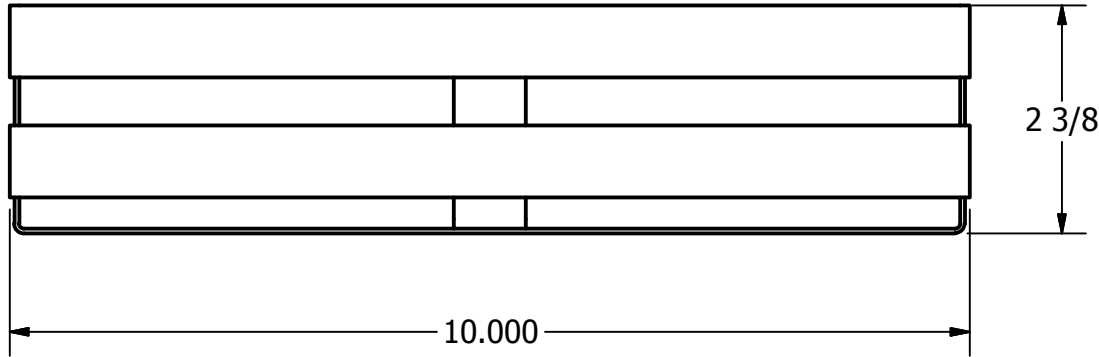
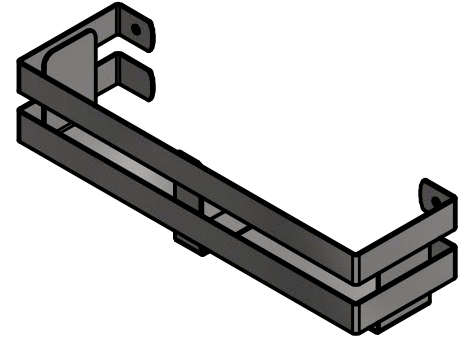
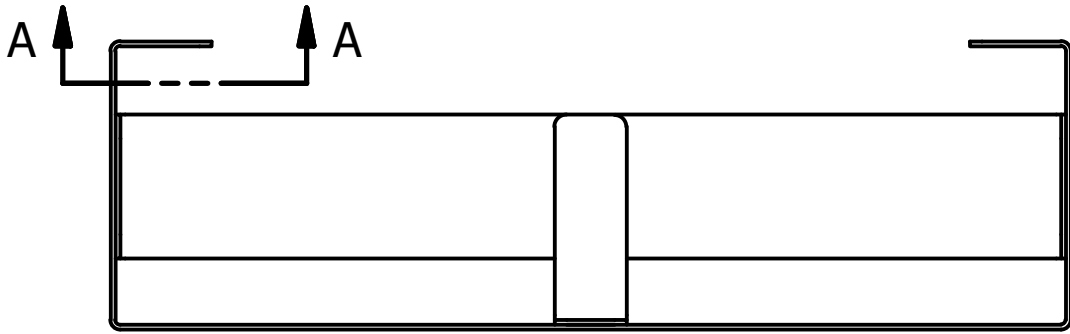


THIS DRAWING, AND THE INFORMATION CONTAINED THEREIN, IS THE PROPRIETARY INFORMATION OF ALLOYED DECOR MANUFACTURING CORPORATION AND MAY NOT BE USED OR REPRODUCED WITHOUT APPROVAL OF ALLOYED DECOR MANUFACTURING CORPORATION. COPYRIGHT ALLOYED DECOR MANUFACTURING 2012. ALL RIGHTS RESERVED.



SECTION A-A
SCALE 1 / 2

SPECIFICATIONS:

MATERIAL: 304 STAINLESS STEEL
 FINISH: #4 BRUSHED
 THICKNESS: 18 GAUGE
 WEIGHT: 0.7 LBS

metal tile co

26 Oliver St. Metuchen, NJ 08840
<http://www.metaltileco.com>

TITLE

Inside Cabinet Door Mount Shelf 10in Long

SIZE A	DWG NO shelf-120901	REV 1
------------------	-------------------------------	-----------------

SCALE 2:1	SHEET 1 OF 1
--------------	--------------