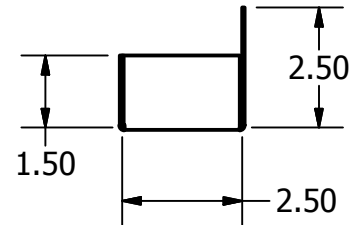
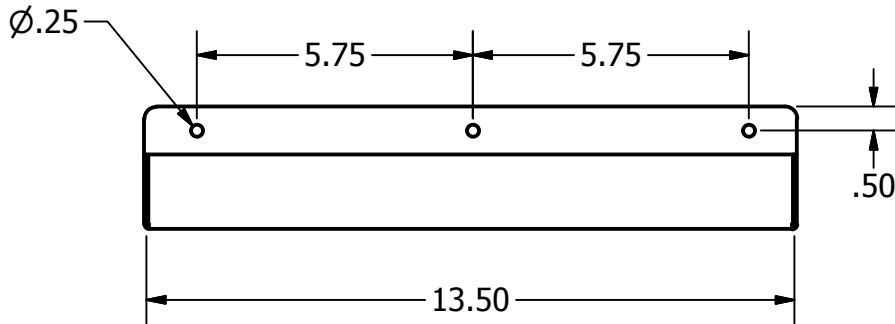
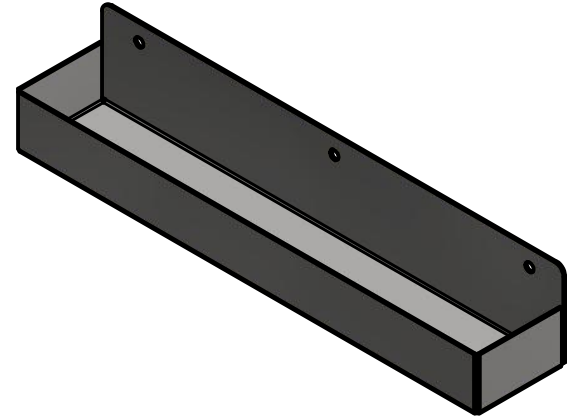


THIS DRAWING, AND THE INFORMATION CONTAINED THEREIN, IS THE PROPRIETARY INFORMATION OF METAL TILE CO AND MAY NOT BE USED OR REPRODUCED WITHOUT APPROVAL OF METAL TILE CO. COPYRIGHT METAL TILE CO 2014 ALL RIGHTS RESERVED.



SPECIFICATIONS:

MATERIAL: 304 STAINLESS STEEL  
 FINISH: #4 BRUSHED  
 THICKNESS: 18 GAUGE (0.05)  
 WEIGHT: 1.5 LBS

metal tile co

26 Oliver Street Suite 300, Metuchen NJ 08840

<http://www.metaltileco.com>

TITLE			
Box Shelf			
SIZE	DWG NO	REV	
A	box_shelf_1	1	
SCALE	SHEET 1 OF 1		
1:2			