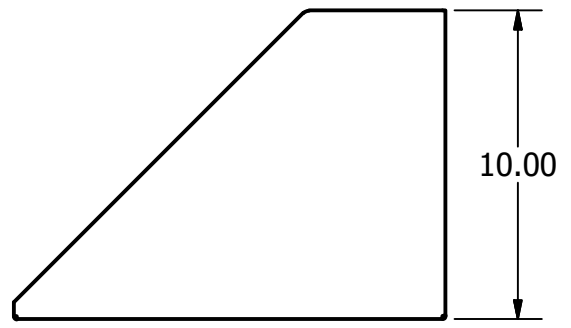
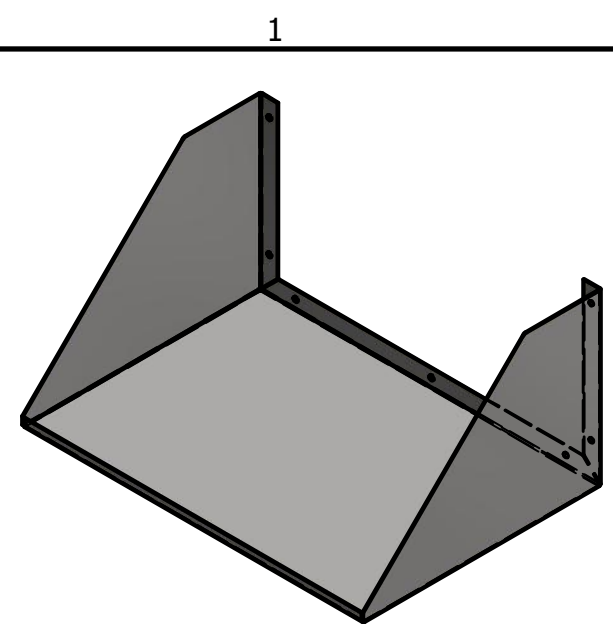
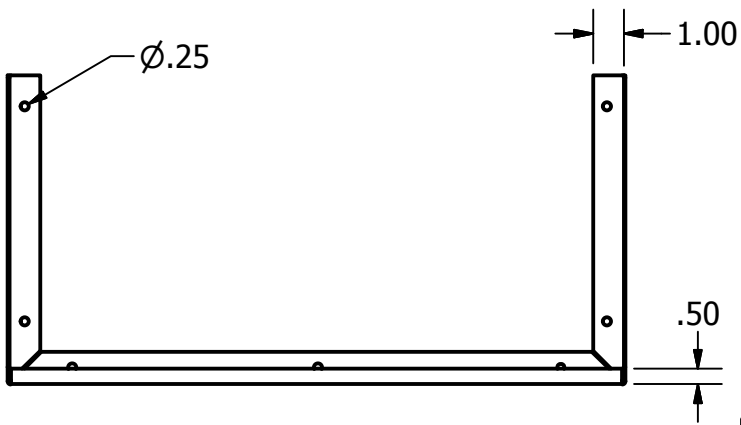
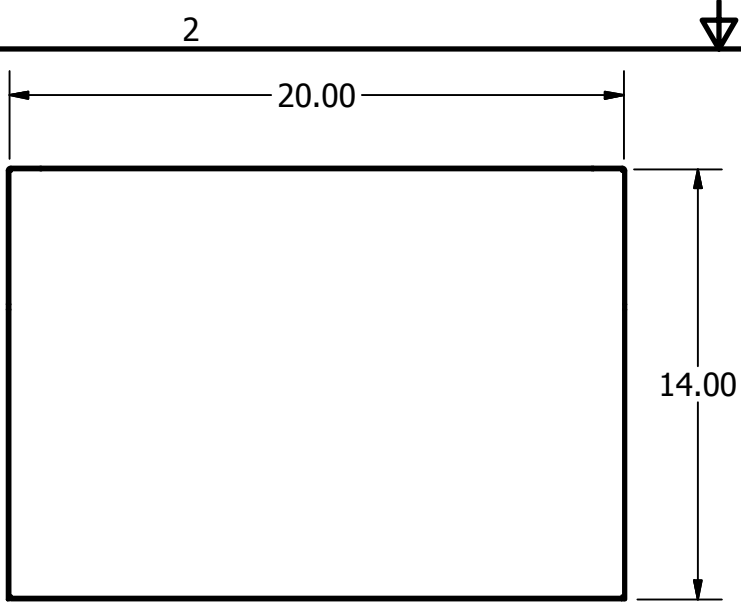


THIS DRAWING, AND THE INFORMATION CONTAINED THEREIN, IS THE PROPRIETARY INFORMATION OF METAL TILE CO AND MAY NOT BE USED OR REPRODUCED WITHOUT APPROVAL OF METAL TILE CO. COPYRIGHT METAL TILE CO 2014 ALL RIGHTS RESERVED.



SPECIFICATIONS:

MATERIAL: 304 STAINLESS STEEL
 FINISH: #4 BRUSHED
 THICKNESS: 18 GAUGE (0.05)
 WEIGHT: 7.5 LBS

metal tile co
 26 Oliver Street Suite 300, Metuchen NJ 08840
<http://www.metaltileco.com>

TITLE
20x14 Wall Mount Oven Shelf

SIZE	DWG NO	REV
A	20x14WMOS	1

SCALE	SHEET
1:2	1 OF 1

B

A

B

A

2

1